



PRODUKTIONS+  
MONTAGETECHNIK

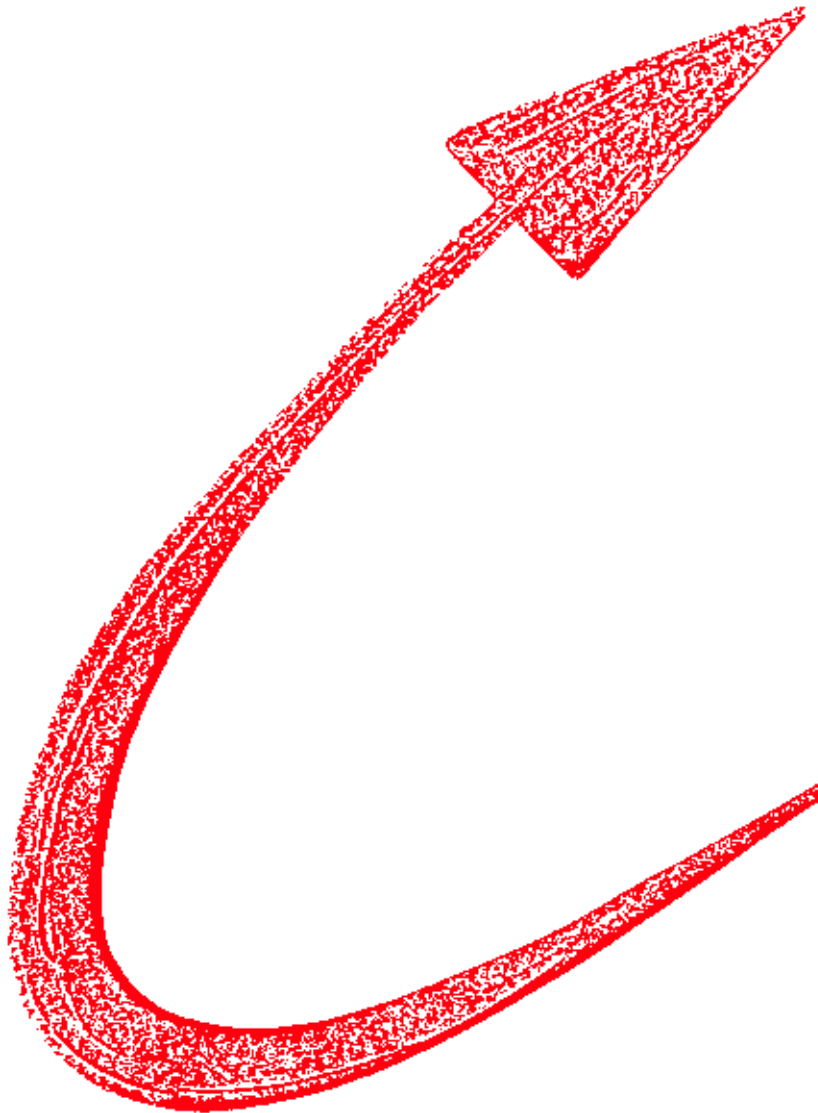
**Transport systems**

Orbital riveters

Conveyors

Rotary indexing tables

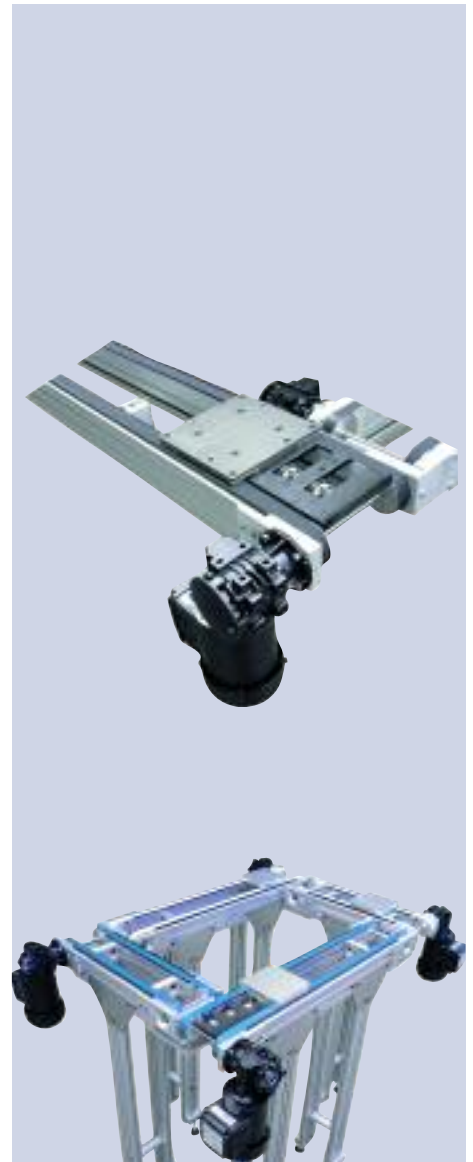
Assembly workstations



**Flexible assembly systems**

**Transport system**  **GTS**

- The right solution for  
every application





Welcome.

For many years now, we have been developing innovative and successful solutions for our partners in the assembly and automation technology sector.

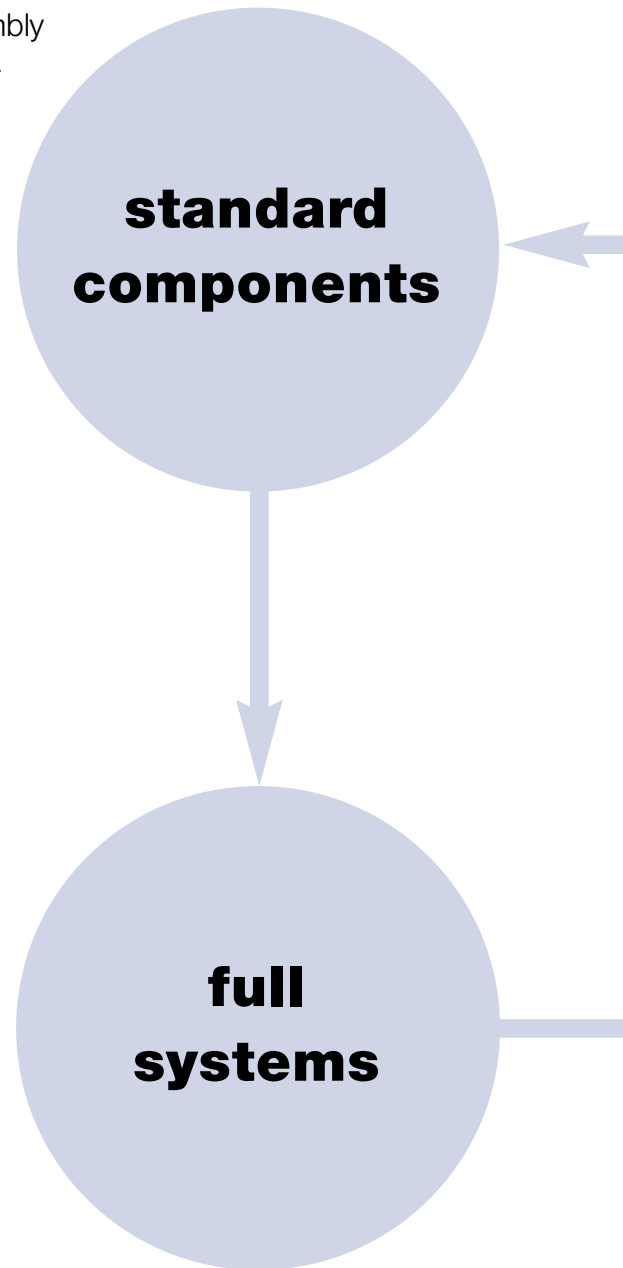
Uncompromising support, sound knowledge, unsurpassable quality and a self-confident approach in addressing challenges are the key to our success. Assisted by a well-tryed network of specialists, we offer holistic solutions from one source. This makes us both flexible and cost-efficient.

Profit from our experience.

**Your success is our mission.**

We thrive on new and interesting challenges.

Marc Heiter  
Chief Executive Officer



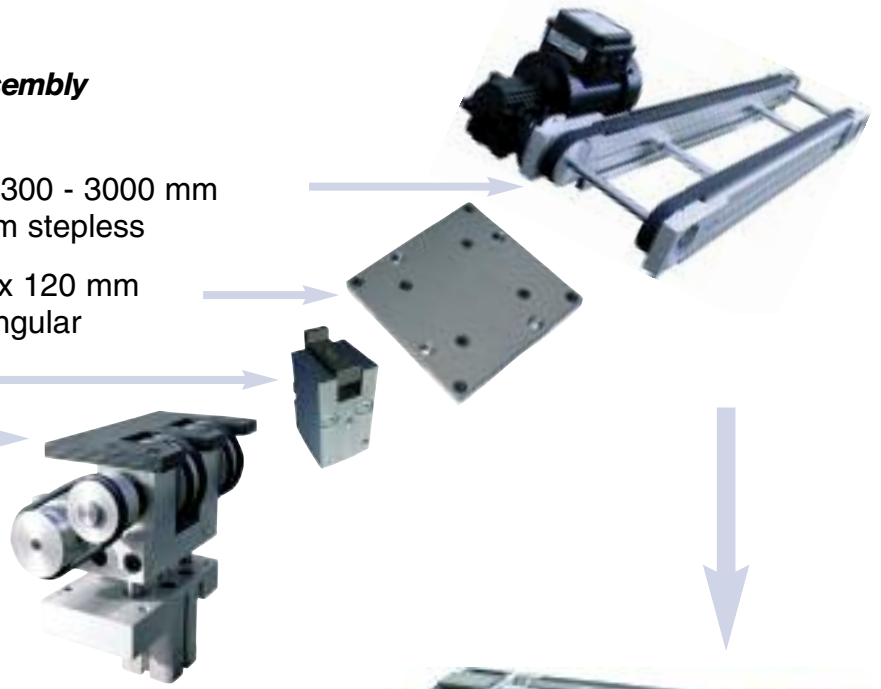
The guarantee for  
a future-proof investment



# The **kmt** PRODUKTIONS- MONTAGETECHNIK GTS transport system

## Available as construction kit for self-assembly

- Conveyor elements: Lengths from 300 - 3000 mm stepless, widths from 120 - 400 mm stepless
- Workpiece carrier sizes: from 120 x 120 mm to 400 x 400 mm as well as rectangular
- Stopper
- Converter 90° and 180°
- Outward/inward transfer
- Lift station
- Positioning unit
- Raise unit



## Available as turnkey transfer system



### ✓ **Modular structure**

*Thanks to their modular structure, all mechanical and control-related components can be combined as desired.*

### ✓ **Service-friendly**

*Easy to operate and service-friendly. These are just two of the standard features of our products. Speedy on-site service whenever needed is a matter of course!*

### ✓ **High flexibility**

*Thanks to their modular design, our systems can be easily adapted to the requirements on hand. A high degree of flexibility is guaranteed. Modular construction permits flexible usage.*

### ✓ **Control concept**

*Basic control modules via IPC and standard software modules guarantee simple, speedy and reliable functioning.*

Orbital riveting technology



Conveyor technology – Flexible assembly systems – Workpiece carriers – Transport systems



PRODUKTIONS+  
MONTAGETECHNIK

Spittelbronner Weg 21  
D-78056 VS-Schwenningen  
Fon: 0 77 20/99 19-0  
Fax: 0 77 20/99 19-19  
kmt@kmt-montagetechnik.de  
www.kmt-montagetechnik.de

Presses and Rotary indexing tables

